

# HZ9N12

Adjustable diaphragm pressure switch



ATEX version available  
For further information please contact our Sales Office

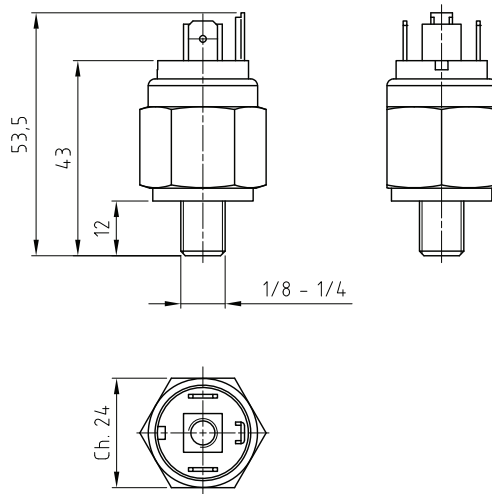
## TECHNICAL CHARACTERISTICS

Max pressure	80 bar
Max temperature	-10 ÷ 120 °C
Max voltage	250 V AC
Max current	0,5 A
Body	brass

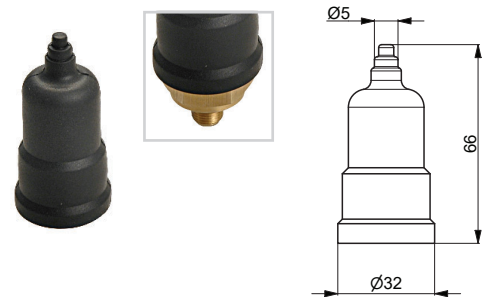
Version with NC - NC/NO contact upon request

Part No.	Adjustable range (bar)	Tolerance 20° C (bar)	Contact	Thread
HZ9N12110060	1 - 10	± 0,5	NO	R1/8
HZ9N12110080	1 - 10	± 0,5	NO	R1/4
HZ9N12111060	0,1 - 1	± 0,1	NO	R1/8
HZ9N12111080	0,1 - 1	± 0,1	NO	R1/4

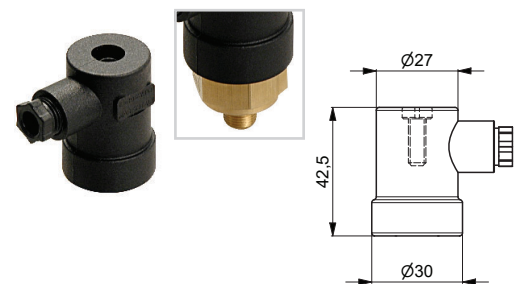
ATEX version available  
For further information please contact our Sales Office



HZ9N12A Rubber protection cap IP54



HZ9N12B Plastic protection cap IP65



HZ9N12C Protective connector IP65 DIN

